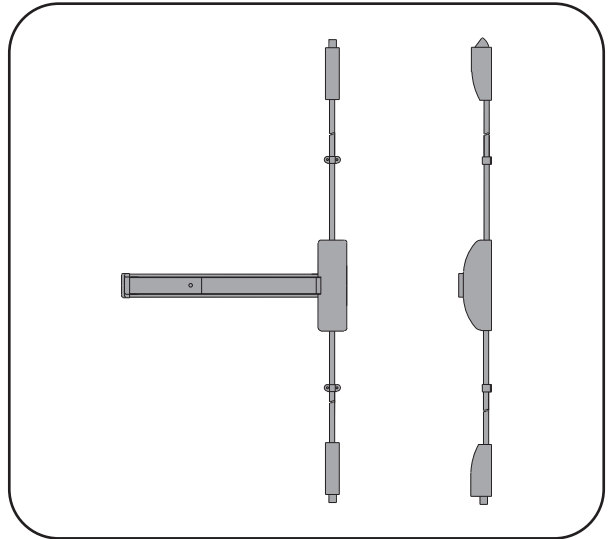
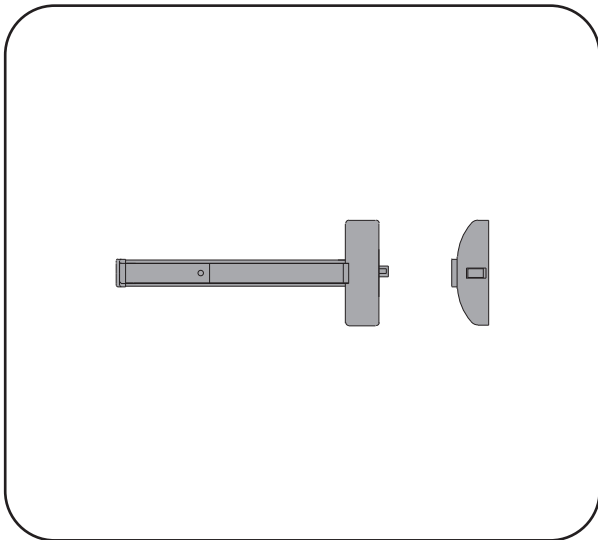


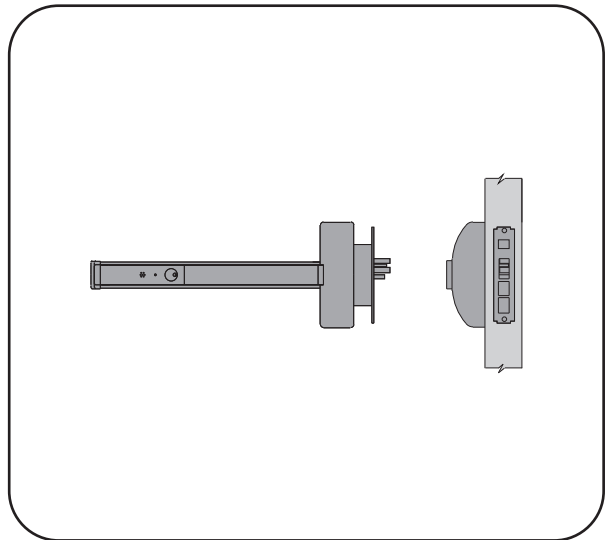
9100 Concealed Vertical Rod Device



9400 Surface Vertical Rod



9300 Rim Device



9500 Mortise Device

**Applications:**

DORMA's heavy duty cast chassis provides superior durability and smooth operation. Its reduced projection touch bar minimizes catch hazards. Partial length touchpad permits cylinder dogging and fire alarms.

**Listings & Approvals:**

- Certified/listed to ANSI/BHMA 156.3, Grade 1 for exit devices.
- UL and CUL listed under their continuing reinspection programs and conforms to standards UL 10B & 10C positive pressure testing.
- Complies with NFPA 101 life safety code. Fire rated devices comply with NFPA 80 fire doors and windows.
- CSFM approved, California State Reference Code 1989 (title 19).
- Devices, trim, pulls, and levers comply with the Americans with Disabilities Act, 1994, and ANSI 117.1-2003 for accessible and usable buildings and facilities.
- Contributes to U.S. Green Building Council, LEED MR Credits 2.1, 4.1, 4.2 and 5.1.

**Warranty:**

10 year mechanical/2 year electrical.

**Range of Door Sizes:**

24"-48" (varies by application and selected options. Consult product brochure for full details).

**Finishes:**

**Architectural Finishes:**

Brass: 605 (Bright) or 606 (Satin).  
Bronze: 611 (Bright), 612 (Satin), or 613 (Oxidized Satin Oil Rubbed).  
Nickel: 619 (Satin).  
Chrome: 625 (Bright) or 626 (Satin).  
Stainless Steel: 630 (Satin).

**Powder Coated Finishes:**

Aluminum: 689.  
Bronze: 691 (Dull) or 695 (Dark Duranodic).  
Black: 693.  
Gold: 696.  
Clear Powder Coating: Specify P.

**Antimicrobial Protected Coating:** Specify AM.

**Exit Device Models:**

- Concealed Vertical Rod (9100/F9100).
- Rim with or without mullion (9300/F9300).
- Surface Vertical Rod (9400/F9400).
- Mortise (9500/F9500).

**Special Application Assistance:**

Contact DORMA Technical Services at 800-523-8483.

ANSI	Description	9100	9200	9400	9500
01	Exit Only – No Trim	X	X	X	X
02	Entrance by trim when actuating bar is locked down.	X	X	X	X
03	Entrance by trim when latch bolt is retracted by key. Key removable only when locked.	X	X	X	X
04	Entrance by trim when latch bolt is retracted by key or set in retracted position by key.	X	X	X	X
05	Entrance by thumbpiece. Key locks or unlocks thumbpiece.	X	X	X	X
06	Entrance by thumbpiece only when released by key. Key removable only when locked.	X	X	X	X
08	Entrance by knob or lever. Key locks or unlocks knob or lever.	X	X	X	X
08x08	Entrance by lever. OS or IS key locks or unlocks lever.	X	X	X	X
09	Entrance by knob or lever only when released by key. Key removable only when locked.	X	X	X	X
22	Entrance by thumbpiece (no cylinder). Trim always active.	X	X	X	X
23	Entrance by knob or lever (no cylinder). Trim always active.	X	X	X	X

**DORMA Solutions:**

- Corrosion-resistant, heavy-duty gage stainless steel offered standard.
- 9 separate electronic monitoring and control options for managing critical access/egress control applications.
- Choose from 14 ANSI/BHMA standard architectural finishes, or dozens of DORMA Custom RAL colors, or, for those unique interior designs, DORMA's Designer Color special color matching system.
- Hundreds of trim and lever styles and finish combinations to satisfy the most demanding interior design requirement.
- Antimicrobial protected coating when ultra clean environments are specified.
- Clear powder coating for outdoor or highly corrosive environments that need added protection. Also minimizes the appearance of fingerprints.

**Contact Information:**

DORMA Architectural Hardware & Glas  
Dorma Drive, Drawer AC  
Reamstown, PA 17567-0411  
Tel: 800-523-8483  
Fax: 800-274-9724  
Email: archdw@dorma-usa.com

**A DORMA Group Company**

www.dorma-usa.com