



DEPARTMENT OF REGULATORY AND ECONOMIC RESOURCES (RER)
 BOARD AND CODE ADMINISTRATION DIVISION
NOTICE OF ACCEPTANCE (NOA)

MIAMI-DADE COUNTY
 PRODUCT CONTROL SECTION
 11805 SW 26 Street, Room 208
 Miami, Florida 33175-2474
 T (786) 315-2590 F (786) 315-2599
www.miamidade.gov/economy

Dorma Door Control, Inc.
 1003 West Broadway
 Steelville, IL 62288

SCOPE:

This NOA is being issued under the applicable rules and regulations governing the use of construction materials. The documentation submitted has been reviewed and accepted by Miami-Dade County RER -Product Control Section to be used in Miami Dade County and other areas where allowed by the Authority Having Jurisdiction (AHJ).

This NOA shall not be valid after the expiration date stated below. The Miami-Dade County Product Control Section (In Miami Dade County) and/or the AHJ (in areas other than Miami Dade County) reserve the right to have this product or material tested for quality assurance purposes. If this product or material fails to perform in the accepted manner, the manufacturer will incur the expense of such testing and the AHJ may immediately revoke, modify, or suspend the use of such product or material within their jurisdiction. RER reserves the right to revoke this acceptance, if it is determined by Miami-Dade County Product Control Section that this product or material fails to meet the requirements of the applicable building code.

This product is approved as described herein, and has been designed to comply with the Florida Building Code, including the High Velocity Hurricane Zone.

DESCRIPTION: Dorma's Series "9000" Panic Exit Devices-Component Approval

APPROVAL DOCUMENT: Drawing No.9000DADE Rev 8, titled "9300 Rim or 9400/9400 Series Surface vertical Rod (SVR), 9400 SVR/9500 Mortise Panic or Single 9500 Mortise Panic Exit", sheets 1 through 4 of 4, dated 12-19-00 and last revised on 09/15/2016, prepared by Building Drops, Inc., signed and sealed by Hermes F. Norero, P.E., bearing the Miami-Dade County Product Control Revision stamp with the Notice of Acceptance number and expiration date by the Miami-Dade County Product Control Section.

MISSILE IMPACT RATING: Large and Small Missile Impact Resistant

Limitations: 1. Electrical devices are not part of this approval and must be reviewed by appropriate Authority.

2. See Design Pressure Ratings (PSF) for applicable Single & Double Doors in sheets 1 thru 4. Series 9300 Rim Panic Exit double door requires F-1300 mullion (see installation sheet 1). Series 9500 Mortise is Single door application.
3. This device is approved as an alternate to corresponding locks of outswing commercial Steel door, having current NOA (w/ applicable steel reinforcements at lock, astragal & hinge stiles), with door panel no wider and higher than this approved drawings. The Lower Design Pressure Rating of this component or impacted door (under separate approval) shall control for the entire system.

LABELING: Each unit shall bear a permanent label with the manufacturer's name or logo, city, state and series and following statement: "Miami-Dade County Product Control Approved", noted herein.

RENEWAL of this NOA shall be considered after a renewal application has been filed and there has been no change in the applicable building code negatively affecting the performance of this product.

TERMINATION of this NOA will occur after the expiration date or if there has been a revision or change in the materials, use, and/or manufacture of the product or process. Misuse of this NOA as an endorsement of any product, for sales, advertising or any other purposes shall automatically terminate this NOA. Failure to comply with any section of this NOA shall be cause for termination and removal of NOA.

ADVERTISEMENT: The NOA number preceded by the words Miami-Dade County, Florida, and followed by the expiration date may be displayed in advertising literature. If any portion of the NOA is displayed, then it shall be done in its entirety.

INSPECTION: A copy of this entire NOA shall be provided to the user by the manufacturer or its distributors and shall be available for inspection at the job site at the request of the Building Official.

This NOA revises & renews NOA #15-0630.08 and consists of this page 1 and evidence pages E-1 & E-2, as well as approval document mentioned above.

The submitted documentation was reviewed by Ishaq I. Chanda, P.E.



NOA No. 16-0418.02
 Expiration Date: January 03, 2022
 Approval Date: October 27, 2016
 Page 1

10/20/16

Dorma Door Control, Inc.

NOTICE OF ACCEPTANCE: EVIDENCE SUBMITTED

A. DRAWINGS

1. Manufacturer's parts drawings and sections (Submitted under files below)
2. Drawing No. **9000DADE Rev 8**, titled "9300 Rim or 9400/9400 Series Surface vertical Rod (SVR), 9400 SVR/9500 Mortise Panic or Single 9500 Mortise Panic Exit", sheets 1 through 4 of 4, dated 12-19-00 and last revised on 09/15/2016, prepared by Building Drops, Inc., signed and sealed by Hermes F. Norero, P.E.

B. TESTS (Submitted under files #15-0630.08 /#11-1207.08/ #06-0912.05 /#03-0911.04)

1. Test reports on:
 - 1) Air Infiltration Test, per FBC, TAS 202-94
 - 2) Uniform Static Air Pressure Test, Loading per FBC TAS 202-94
 - 3) Water Resistance Test, per FBC, TAS 202-94 (Not Performed)
 - 4) Large Missile Impact Test per FBC, TAS 201-94
 - 5) Cyclic Wind Pressure Loading per FBC, TAS 203-94

along with marked-up drawings and installation diagram of Dorma's series 9300, 9400 and 9500 Hardware devices in 18 ga. steel doors w/ 16 ga. steel frames, prepared by Intertek, Test Report No. **ITS-100612696MID-001**, dated 07/31/12, signed and sealed by Rick Curkeet, P.E.

2. Test reports on
 - 1) Air Infiltration Test, per FBC, TAS 202-94
 - 2) Uniform Static Air Pressure Test, Loading per FBC, TAS 202-94
 - 3) Water Resistance Test, per FBC, TAS 202-94 (Not Performed)
 - 4) Large Missile Impact Test per FBC, TAS 201-94
 - 5) Cyclic Wind Pressure Loading per FBC, TAS 203-94

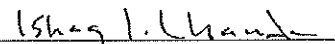
Along with marked-up drawings and installation diagram of Dorma's series 9000 panic devices in the Benchmark HMF's hollow metal doors, prepared by Certified Testing Laboratories, Inc., Test Report No. **CTLA-1089W**, dated April 21, 2003, signed and sealed by Ramesh Patel, P.E.

(Note: This test report has been revised by addendum letter dated November 10, 2003, issued by Certified Testing Lab, Inc, signed & sealed by Ramesh Patel, P.E.).

3. Test reports (original test conducted under PA 201, 202 & 203-94, now termed as TAS 201, 202 & 203-94, submitted for file # **01-0423.02**)
 - 1) Air Infiltration Test, per FBC, TAS 202-94
 - 2) Uniform Static Air Pressure Test, Loading per FBC, TAS 202-94
 - 3) Water Resistance Test, per FBC, TAS 202-94
 - 4) Large Missile Impact Test per FBC, TAS 201-94
 - 5) Cyclic Wind Pressure Loading per FBC, TAS 203-94
 - 6) Forced Entry Test, per FBC 3603.2 (b) and TAS 202-94

Along with marked-up drawings and installation diagram of Dorma's series 9000 panic devices in the Dorma's hollow metal doors, prepared by Architectural Testing Laboratory, Inc., Test Report No. **ATI-0137581.01, ATI-0137581.02 and ATI-0137581.04**, dated March 15 & 16, 2001, signed and sealed by Allen N. Reeves, P.E.

(Note: This test report has been revised by Addendum letter dated 08 October, 2001 for test reports **ATI-0137581.01, 02, 03 and 04**, issued by Architectural Testing Laboratory, signed and sealed by Allen N. Reeves, P.E.)



Ishaq I. Chanda, P.E.
Product Control Examiner
NOA No. 16-0418.02

Expiration Date: January 03, 2022
Approval Date: October 27, 2016

Dorma Door Control, Inc.

NOTICE OF ACCEPTANCE: EVIDENCE SUBMITTED

C. CALCULATIONS

1. Anchor calculations complying w/ FBC 2014 (5th Edition), prepared by Building Drops, Inc., dated 03-03-2016 and last revised on 09-15-2016, signed and sealed by Hermes F. Norero, P. E.
2. Engineering evaluation of Panic Exit devices series comparison provided by Dorma Inc. (Submitted under file #11-1207.08)

D. QUALITY ASSURANCE

1. Miami Dade Department of Regulatory and Economic Resources (RER).

E. MATERIAL CERTIFICATIONS

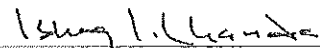
1. None.

F. STATEMENTS

1. Statement letter of conformance, complying with FBC-5th Edition (2014), and of no financial interest, dated 09/14/16, issued, signed and sealed by Hermes F. Norero, P.E.
2. Lab compliance as part of the above referenced test reports.
3. Addendum letter dated November 10, 2003 for test reports **CTLA-1089W**, issued by Certified Testing Laboratories, signed and sealed by Ramesh Patel, P.E. (transferred from files # 06-0912.05 / 03-0911.04)
4. Addendum letter dated 08 October, 2001 for test reports **ATI-0137581.01, 02, 03 and 04**, issued by Architectural Testing Laboratory, signed and sealed by Allen N. Reeves, P.E. (transferred from files # 06-0912.05 / 03-0911.04)
5. Merger agreement between Dorma Door Control Inc. and Dorma Steelville, Inc. dated Feb 28, 2003, both signed by Paul T. Kosakowaski, President Dorma (Submitted under files #11-1207.08)

G. OTHER

1. This NOA revises & renews NOA # 15-0630.08, expiring on Jan 03, 2022.
2. Test Proposal # 11-1392 PERA & 00-0029 dated 03/07/00 approved by BCCO.
3. Dorma's panic exit device technical publications and catalogs.



Ishaq I. Chanda, P.E.

Product Control Examiner

NOA No. 16-0418.02

Expiration Date: January 03, 2022

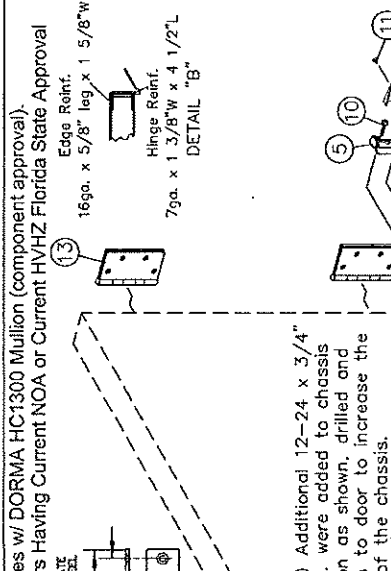
Approval Date: October 27, 2016

ITEM	DESCRIPTION	PART NUMBER	QTY.
1	DOOR & FRAME	Under sep. NOA	1
2	9300 CHASSIS ASSY.	SEE NOTES	1
3	TOUGHBAR/RAIL ASSY.	SEE NOTES	1
4	THRU BOLTS		4
5	ENDCAP BRACKET		1
6	OUTSIDE TRIM		1
7	ENDCAP		1
8	CHASSIS COVER		1
9	STRIKE ANGLE		1
10	12-24 R.H.P.M.S.		8
11	B-22 F.H.P.M.S.		6
12	12-24 F.H.P.M.S.		6
13	HINGE		3
14	#453 STRIKE	SEE NOTES	1
15	Removable Mullion	HC1300(Dbl. Doors)	1
16	Mullion Top Fitting		1
17	Mullion Bottom Fitting		1
18	Anchor plate	1/4" steel plate	1
19	Bottom Mullion Adapter		1

Notes:
 Material: (Mullion)
 Carbon Steel Tubing 2 x 3 x 5/16
 Wall Structural ASTM A500-Grade B
 Tensile Strength: 58000 psi.
 Yield Strength: 46000 psi.
 M-N

CHASSIS ASSEMBLY MATERIAL: INVESTMENT CAST 1020 STEEL, BOLT 304 STAINLESS

10 ga. x 1.5" steel header reinforcement, full length.
 Top Adapter Welded To Mullion At Factory.
 (4) 5/16"-18 FHPMS Drill & Tapped To Frame
 On Impact Flush Outswing Single And Pair Steel Doors Having Current NOA or Current HVHZ Florida State Approval



GENERAL NOTES

1. Devices approved to be used as equal alternative to be used in applicable lock approved to be used in applicable 18ga (min .045") w/min FY=48.5 KSI NOA, lowest design pressure of door or this component will apply.

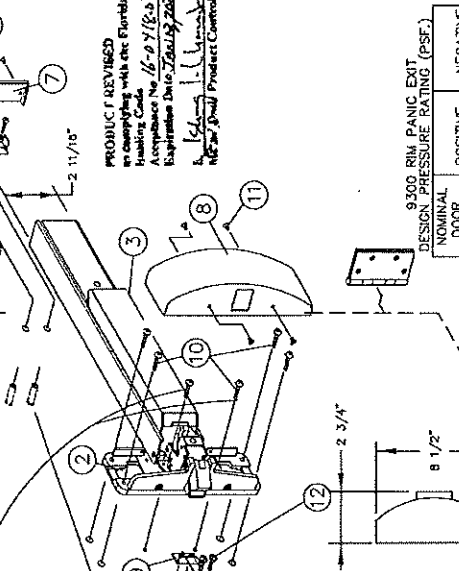
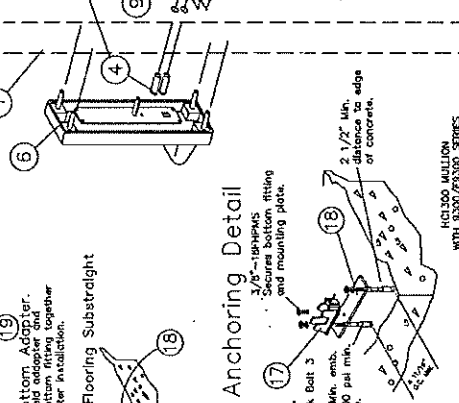
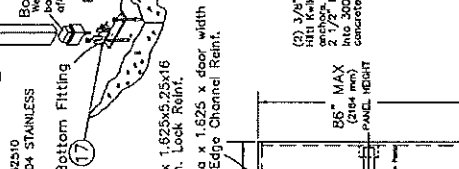
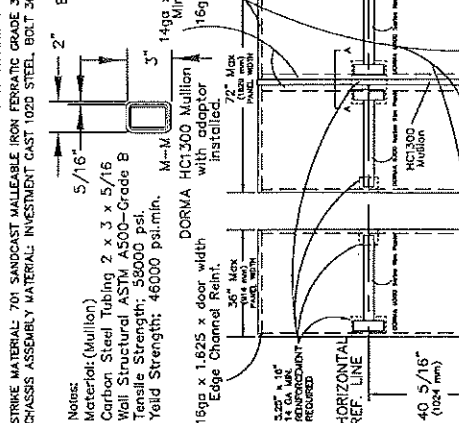
2. Device shall be installed on 18ga commercial steel door panel no wider or higher than shown on these approved drawings.

3. Installation of this device requires steel reinforcement as indicated.

4. Electrical options are not part of this approval and must be reviewed by corresponding authority.

Certifications:
 Underwriters Laboratories-UL10C, UL305, UBC 7-2 (1997), ANSI-BHMA 156.3 Grade 1 Exit Hardware
 3/4" Min. latchbolt throw.
 All reinforcement to be spot welded or better by door manufacturer.
 All dimensions in accordance with manufacturer's standard installation instructions.
 Frame: 16 ga. min.
 Door: 18ga (min. .045") w/min. FY=48.5 KSI
 Hinge/Jamb Reinforcement: As noted.
 Header channel: 10ga. x 1.5" x width.
 Lock stile/hinge stile, panic box reinforcement: 14 ga. min.
 Exit device model 9300/F9300 Series Outside trim may be one of the below.
 WOODT, W102, W302, W103, W303, W122, W322, W105, W305, YDOT, YX02, YX03, YX08, YX23 (X designations refer to styles).
 Sectional trim (Y04-Y08) never conjunction with other exit devices.
 Thru bolts must be used in accordance with instructions as shown in Manual for Exit Device.
 Strikes made multiple in Manual for Exit Device.
 Building Drop, Inc.
 800 E. Dante Beach Blvd.
 Ft. Lauderdale, FL 33304
 FIBRE CO. of AUTHORIZED REPRESENTATIVE

5th Edition FBC Update	7/1/16	10/1/16	1/1/17
Rev. Per. Date	8	TA 03-20-13	
Rev. Per. Date	7	TA 01-03-13	
Retested	6	TA 6-11-12	
Rev. Per. Date	5	EW 11-3-05	
Rev. Mull. Fitting	4	EW 6-30-05	
Revised Mullion	3	WH 2-9-05	
Revised PSI	2	TJH 8-15-01	
Revised Print	1	TA 9-1-01	



GENERAL NOTES

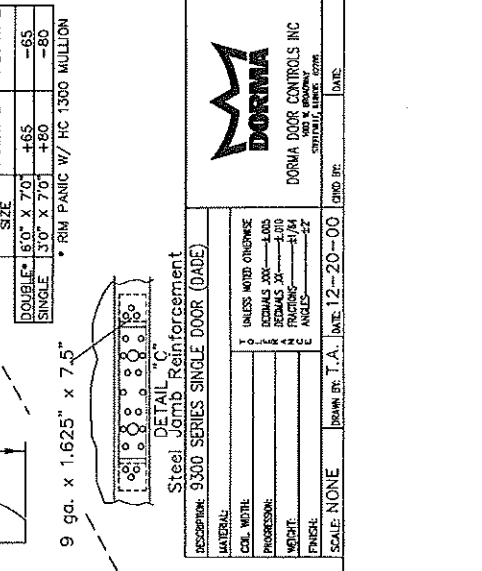
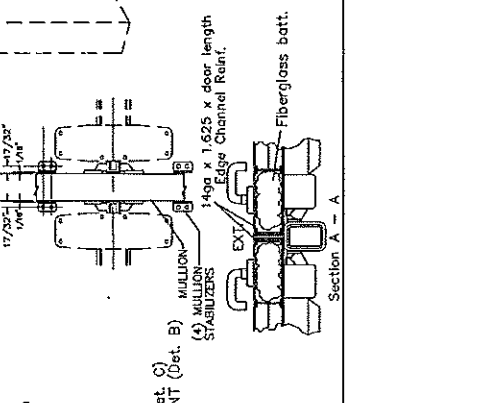
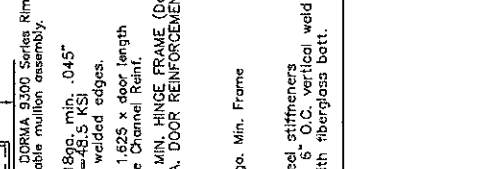
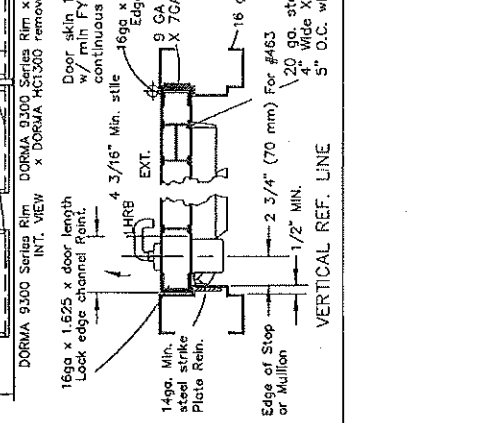
1. Devices approved to be used as equal alternative to be used in applicable lock approved to be used in applicable 18ga (min .045") w/min FY=48.5 KSI NOA, lowest design pressure of door or this component will apply.

2. Device shall be installed on 18ga commercial steel door panel no wider or higher than shown on these approved drawings.

3. Installation of this device requires steel reinforcement as indicated.

4. Electrical options are not part of this approval and must be reviewed by corresponding authority.

Certifications:
 Underwriters Laboratories-UL10C, UL305, UBC 7-2 (1997), ANSI-BHMA 156.3 Grade 1 Exit Hardware
 3/4" Min. latchbolt throw.
 All reinforcement to be spot welded or better by door manufacturer.
 All dimensions in accordance with manufacturer's standard installation instructions.
 Frame: 16 ga. min.
 Door: 18ga (min. .045") w/min. FY=48.5 KSI
 Hinge/Jamb Reinforcement: As noted.
 Header channel: 10ga. x 1.5" x width.
 Lock stile/hinge stile, panic box reinforcement: 14 ga. min.
 Exit device model 9300/F9300 Series Outside trim may be one of the below.
 WOODT, W102, W302, W103, W303, W122, W322, W105, W305, YDOT, YX02, YX03, YX08, YX23 (X designations refer to styles).
 Sectional trim (Y04-Y08) never conjunction with other exit devices.
 Thru bolts must be used in accordance with instructions as shown in Manual for Exit Device.
 Strikes made multiple in Manual for Exit Device.
 Building Drop, Inc.
 800 E. Dante Beach Blvd.
 Ft. Lauderdale, FL 33304
 FIBRE CO. of AUTHORIZED REPRESENTATIVE



GENERAL NOTES

1. Devices approved to be used as equal alternative to be used in applicable lock approved to be used in applicable 18ga (min .045") w/min FY=48.5 KSI NOA, lowest design pressure of door or this component will apply.

2. Device shall be installed on 18ga commercial steel door panel no wider or higher than shown on these approved drawings.

3. Installation of this device requires steel reinforcement as indicated.

4. Electrical options are not part of this approval and must be reviewed by corresponding authority.

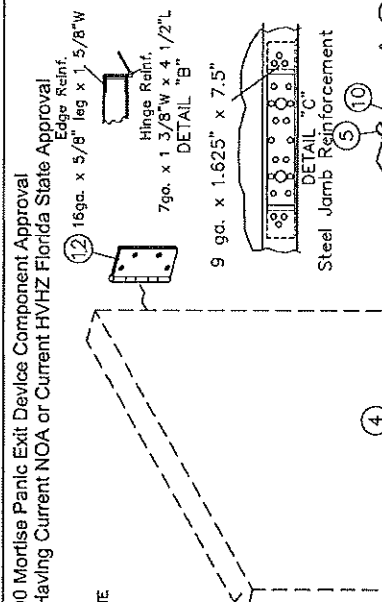
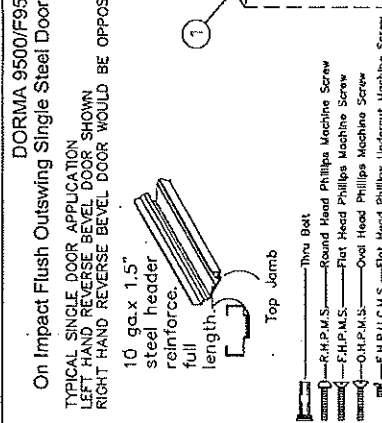
Certifications:
 Underwriters Laboratories-UL10C, UL305, UBC 7-2 (1997), ANSI-BHMA 156.3 Grade 1 Exit Hardware
 3/4" Min. latchbolt throw.
 All reinforcement to be spot welded or better by door manufacturer.
 All dimensions in accordance with manufacturer's standard installation instructions.
 Frame: 16 ga. min.
 Door: 18ga (min. .045") w/min. FY=48.5 KSI
 Hinge/Jamb Reinforcement: As noted.
 Header channel: 10ga. x 1.5" x width.
 Lock stile/hinge stile, panic box reinforcement: 14 ga. min.
 Exit device model 9300/F9300 Series Outside trim may be one of the below.
 WOODT, W102, W302, W103, W303, W122, W322, W105, W305, YDOT, YX02, YX03, YX08, YX23 (X designations refer to styles).
 Sectional trim (Y04-Y08) never conjunction with other exit devices.
 Thru bolts must be used in accordance with instructions as shown in Manual for Exit Device.
 Strikes made multiple in Manual for Exit Device.
 Building Drop, Inc.
 800 E. Dante Beach Blvd.
 Ft. Lauderdale, FL 33304
 FIBRE CO. of AUTHORIZED REPRESENTATIVE

5th Edition FBC Update	7/1/16	10/1/16	1/1/17
Rev. Per. Date	8	TA 03-20-13	
Rev. Per. Date	7	TA 01-03-13	
Retested	6	TA 6-11-12	
Rev. Per. Date	5	EW 11-3-05	
Rev. Mull. Fitting	4	EW 6-30-05	
Revised Mullion	3	WH 2-9-05	
Revised PSI	2	TJH 8-15-01	
Revised Print	1	TA 9-1-01	

9000DADE
 DATE: 12-20-00
 DRAWN BY: T.A.
 SCALE: NONE
 FINISH: NONE
 MODIFY: NONE
 PROFESSION: NONE
 CHECK: NONE
 UNLESS NOTED OTHERWISE
 DORMA DOOR CONTROLS INC
 1001 W. WINDY HILL RD
 FT. LAUDERDALE, FL 33304
 SECTION A - A

ITEM	DESCRIPTION	PART NUMBER	QTY.
1	DOOR & FRAME	Under Sep. NOA	1
2	9500 CHASSIS ASSY.	ALUMINUM	1
3	TOUCHBAR/RAIL ASSY.		1
4	THRU BOLTS		2
5	ENDCAP BRACKET		1
6	OUTSIDE TRIM		1
7	ENDCAP		1
8	CHASSIS COVER	STEEL	1
9	MORTISE LOCK BODY		1
10	12-24 R.H.P.M.S.		6
11	8-32 F.H.P.M.S.		6
12	HINGE		3
13	COMBINATION SCREW		2
14	Face plate w/ 2 10-32 x 1/4" FHPMS screws	Steel	1
15	1/4"85 strike w/ 2 1/4-20" FHP screws	Steel	1

16ga x 1.625 x door width
Edge Channel Reinf.



On Impact Flush Outswinging Single Steel Door Having Current NOA or Current HVHZ Florida State Approval

LEFT HAND REVERSE BEVEL DOOR SHOWN
RIGHT HAND REVERSE BEVEL DOOR WOULD BE OPPOSITE.

10 ga. x 1.5" steel header reinforcement full length.

Top Jamb

16ga. x 5/8" leg x 1 5/8" W Edge Reinf.

Hinge Reinf. DETAIL "B"

9 ga. x 1.625" x 7.5"

Steel Jamb Reinforcement DETAIL "C"

GENERAL NOTES

Certification: Underwriter's Laboratories - UL10C, UBC 7-2 (1937) UL505
ANSI/BHMA A156.3 Grade 1 Exit Device
7/8" x 18" CA
1 1/2" x 18" CA
Strike, hinge & header minimum reinforcements as shown on detail.

Door 18 GA min. 0.045 w/ min FY=48.5 KSI
Lock stile, hinge stile, panic reinforcement box 14 GA minimum as noted on detail.
All reinforcements to be spot welded or better by door manufacturer.

All dimensions in accordance with manufacturer's standard installation instructions.

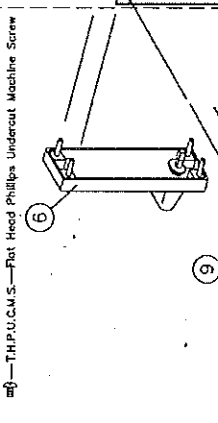
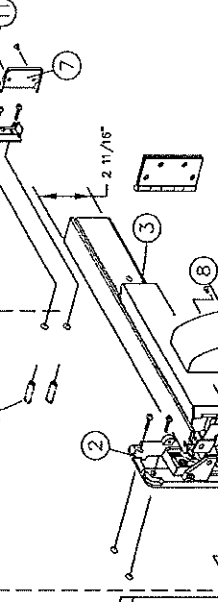
Exit device Model 9500 Series

Mortise
Outside trim may be one of the following designations:
W00T, W003M, W102, W302, W103M, W303M, W122M, W322M, W105M, W305M, Y00T, YK02, YC02, YR02, YR02, Y003M, YK03MR, YC03MR, YR03MR, YR03MR, YK03MR, YC03MR, YR03MR, YR03MR, YK03MR, YC03MR, YR03MR, YR03MR, YK03MR, YC03MR, YR03MR or YR23R.

Thru bolts must be used on all installations as shown.

Building Drops, Inc.
308 E. Dania Beach Blvd.
Dania Beach, FL 33017
FBIPE Cert. of Authorization No. 123718

HERMES FIRE NOVEL
LUBRICANT
No. 123718
STATE OF FLORIDA
PROFESSIONAL ENGINEER
No. 123718



16ga x 1.625 x door width
Edge Channel Reinf.

36" MAX PANEL WIDTH

86" MAX PANEL HEIGHT

40 5/16" (1024 mm)

FINISHED FLOOR OR THRESHOLD INT. NEW

HORIZONTAL REF. LINE

VERTICAL REF. LINE

EDGE OF STOP OR MULLION

5/8" MIN.

14ga x 1.75 x 4.875
ANSI A115.2 Strike prep.
w/ 14ga reinforcement
to equal 10ga.

1 1/4" MIN. STILE

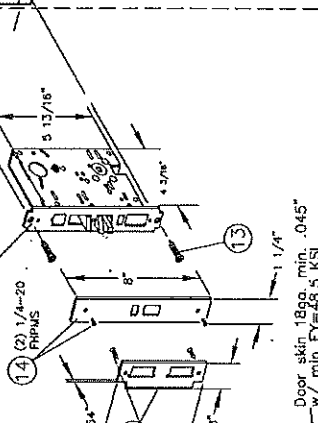
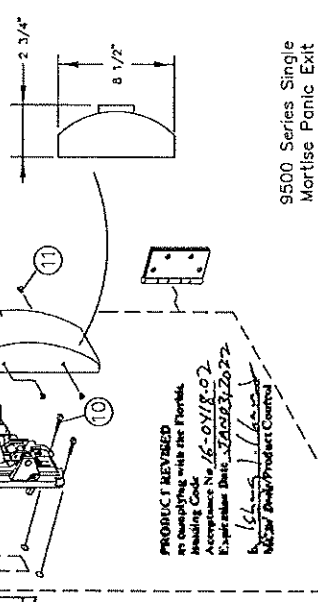
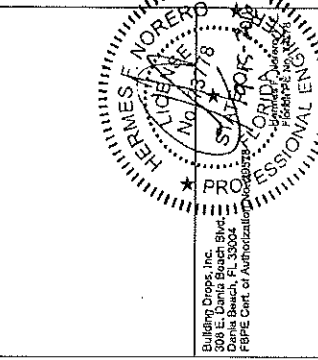
Door skin 18ga. min. .045" w/ min FY=48.5 KSI continuous welded edges.

20 ga. steel stiffeners
4" Wide X 6" O.C. vertical weld
5" O.C. with fiberglass batt.

16ga x 1.625 x door length
Edge Channel Reinf.

9 GA. MIN. HINGE FRAME (Det. C)
X 7GA. DOOR REINFORCEMENT (Det. B)

16 ga. Min. Frame



9500 Series Single Mortise Panic Exit

DESIGN PRESSURE RATINGS (SINGLE DOOR)

POSITIVE	40PSF
NEGATIVE	40PSF

DESIGNING: 9500 SERIES MORTISE SINGLE DOOR (D&E)

MATERIAL: UNLESS NOTED OTHERWISE

COIL WIDTH: 30" - 300"

PROFESSOR: 1-1/4"

WEIGHT: 1-1/4"

FINISH: ANNEAL

SCALE: NONE

DRAWN BY: T.A.

DATE: 12-20-00

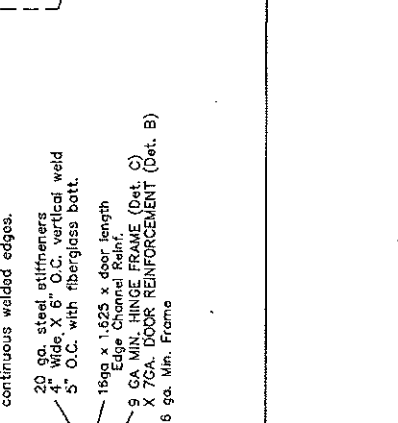
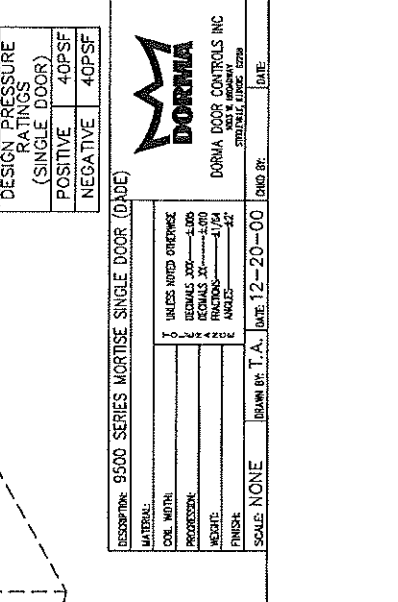
DORMA DOOR CONTROLS INC
2000 W. BIRCH AVE
DAVENPORT, FL 33824

5th Edition FBC Update	9	LS	11-18-15
Rev. per Date	8	TA	03-20-13
Rev. per Date	7	TA	01-03-13
Retested	6	TA	6-11-12
Rev. per Date	5	EW	11-3-05
Rev. Mull. Fitting	4	EW	6-30-05
Revised Mullion	3	WH	2-9-05
Revised PSI	2	TJH	8-15-03
Revised Print	1	TA	9-4-01

REVISED: NO. BY DATE

DWG. 4 OF 4

9000DADE



16ga x 1.625 x door width
Edge Channel Reinf.

36" MAX PANEL WIDTH

86" MAX PANEL HEIGHT

40 5/16" (1024 mm)

FINISHED FLOOR OR THRESHOLD INT. NEW

HORIZONTAL REF. LINE

VERTICAL REF. LINE

EDGE OF STOP OR MULLION

5/8" MIN.

14ga x 1.75 x 4.875
ANSI A115.2 Strike prep.
w/ 14ga reinforcement
to equal 10ga.

1 1/4" MIN. STILE

Door skin 18ga. min. .045" w/ min FY=48.5 KSI continuous welded edges.

20 ga. steel stiffeners
4" Wide X 6" O.C. vertical weld
5" O.C. with fiberglass batt.

16ga x 1.625 x door length
Edge Channel Reinf.

9 GA. MIN. HINGE FRAME (Det. C)
X 7GA. DOOR REINFORCEMENT (Det. B)

16 ga. Min. Frame