

A close-up photograph of a DORMA TS 68 door closer. The device is a long, cylindrical metal component with a white plastic end cap. It is mounted on a door frame, with a metal arm and a vertical rod visible. The background is a plain, light gray.

TS 68

—

Door Closer

# THE IDEAL LOW-COST SOLUTION FOR STANDARD DOORS

With the TS 68, DORMA has developed a low-cost door closer which can be universally used on all common door types. It is particularly quick and easy to install — and does not require a mounting

backplate. The closer arm's power shoe and changes in templating allow easy selection of closing force to suit various door sizes.

Certified to ISO 9001

### Plus points

#### For the trade

- Low-cost solution for standard doors.
- Just one model for all mounting positions.

#### For the user

- Two valves for optimum closing speed and reliable latching action

#### For the installer

- Non-handed unit.
- Quick and easy to install.
- Fixes perfectly to all door types without the need for a mounting backplate.

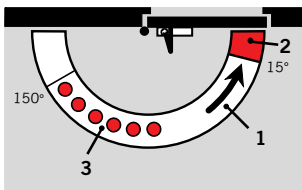
#### For the specifier/architect

- Compact design.
- Inexpensive, proven reliability.

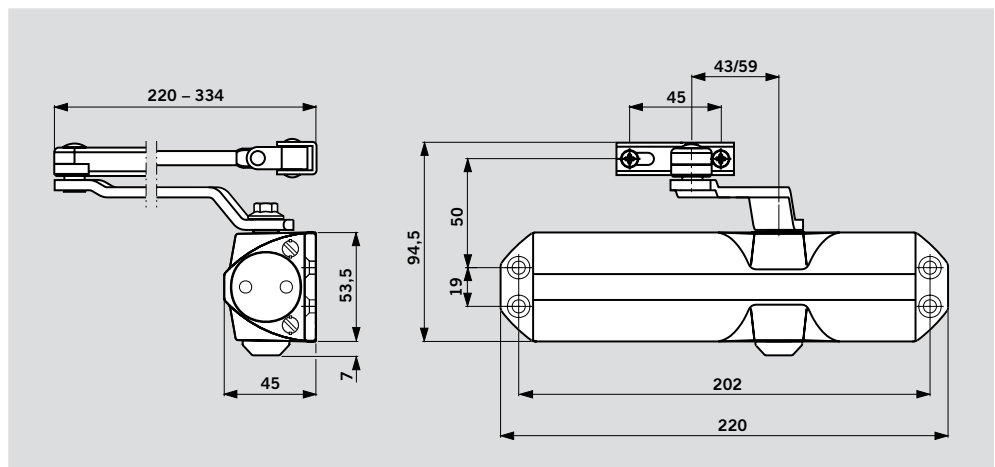
| Data and features   |               | TS 68    |
|---|---------------|----------|
| Selectable closing force (variable via arm power shoe and templating) | Size          | EN 2/3/4 |
| Door width  | ≤ 1100 mm     | ●        |
| External doors, opening outwards                                      |               | –        |
| Non-handed  |               | ●        |
| Arm   | Standard      | ●        |
|   | Slide channel | –        |
| Closing speed adjustable at 2 separate valves                         | 180° – 15°    | ●        |
|   | 15° – 0°      |          |
| Backcheck   |               | ○        |
| Delayed action  |               | –        |
| Hold-open   |               | ○        |
| Weight in kg  |               | 1.4      |
| Dimensions in mm  | Length        | 220      |
|   | Overall depth | 45       |
|   | Height        | 53.5     |
| Approved to AS1905 Part 1 Fire Resistant Doors (Backcheck model only) |               | ●        |

● Yes – No ○ Option

### Functions



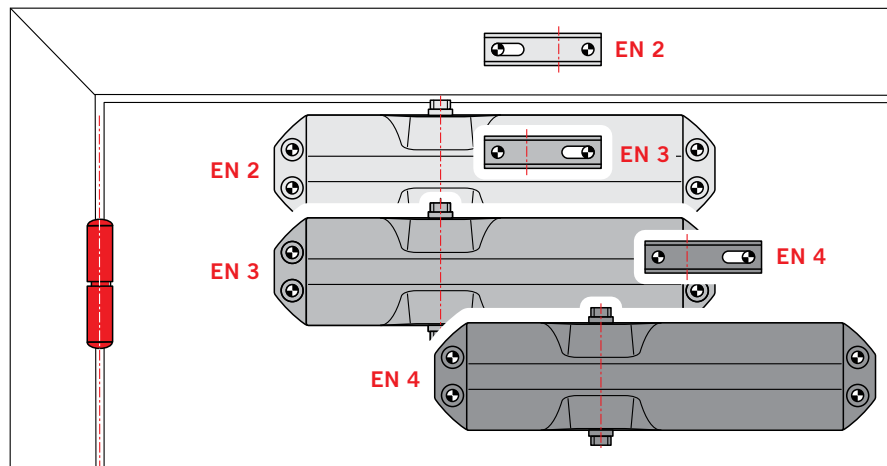
- 1 Adjustable closing speed in the range 180° – 15°.
- 2 Adjustable closing speed in the range 15° – 0°.
- 3 Hold-open range with hold-open arm model (optional extra).



### Closing force settings

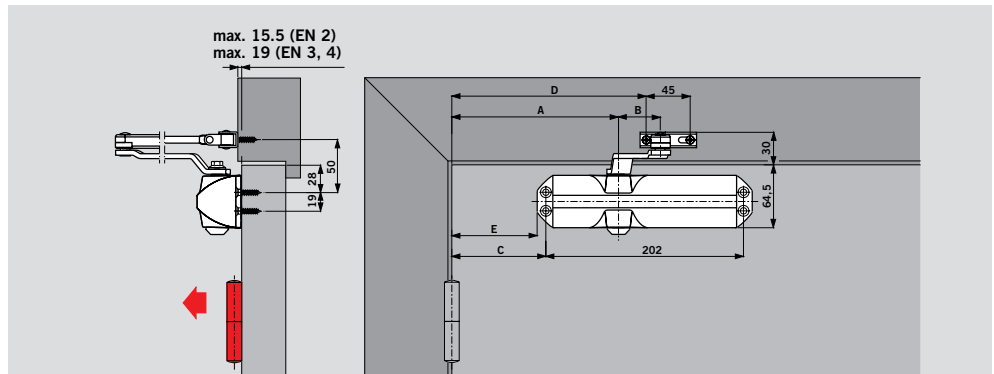
| Door width | Size setting |
|------------|--------------|
| ≤ 850      | EN 2         |
| ≤ 950      | EN 3         |
| ≤ 1100     | EN 4         |

The TS 68's size setting is selected for the door width by moving the closer body and/or turning the arm power shoe.



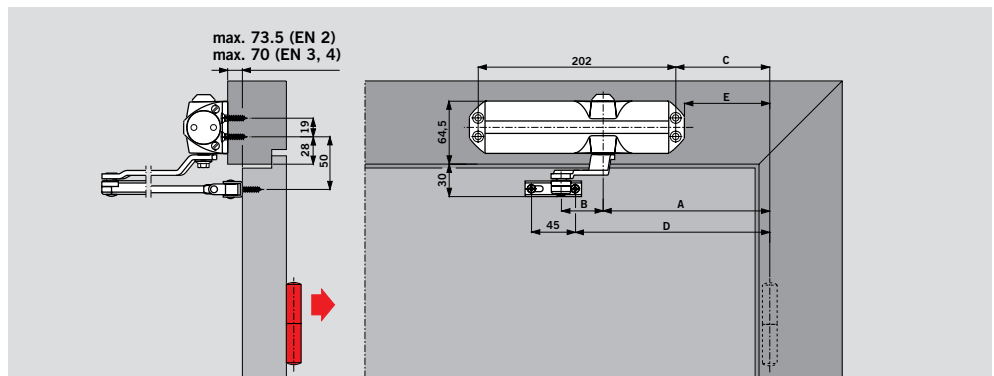
## DOOR-LEAF FIXING, PULL SIDE

|   | EN 2  | EN 3  | EN 4  |
|---|-------|-------|-------|
| A | 170   | 170   | 250   |
| B | 59    | 43    | 43    |
| C | 96    | 96    | 176   |
| D | 198.5 | 198.5 | 278.5 |
| E | 87    | 87    | 167   |

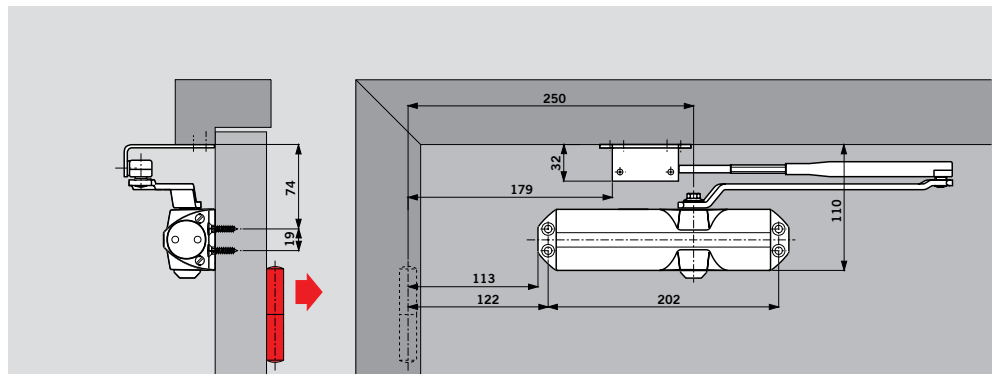


## FRAME FIXING, PUSH SIDE

|   | EN 2  | EN 3  | EN 4  |
|---|-------|-------|-------|
| A | 170   | 170   | 250   |
| B | 59    | 43    | 43    |
| C | 96    | 96    | 176   |
| D | 198.5 | 198.5 | 278.5 |
| E | 87    | 87    | 167   |



## PARALLEL ARM FIXING, PUSH SIDE



### Standard equipment and accessories

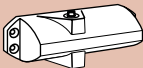


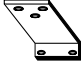
| xx | Colour     |
|----|------------|
| 01 | silver     |
| 02 | brass      |
| 03 | dark brown |
| 11 | white      |

### Order-Number

■ = Closer with arm, complete  
# = Accessory

### Specification text

Rack and pinion door closer with selectable closing force, size EN 2, 3 and 4 and adjustable closing speed in two independent ranges.  
Non-handed.

| Door closer TS 68   | Standard arm  | Hold-open arm  | Parallel arm bracket  |
|---|---|--|---|
|  |  |  |  |
| Size EN 2/3/4   | <input type="checkbox"/> 664105xxBC<br><input type="checkbox"/> 664005xxNBC         | <input type="checkbox"/> 664008xx  | 660005xx #  |

### Model

- with standard arm
- with hold-open arm

### Colour

- silver
- brass
- dark brown
- white (similar to RAL 9016)

Make DORMA TS 68



DORMA Australia P/L  
Head Office  
Victorian Sales Office  
46-52 Abbott Road,  
Hallam, Victoria 3803  
Telephone (03) 8795 0666  
Facsimile (03) 8795 0280  
Toll Free Facsimile  
1800 333 309

New South Wales &  
Australian Capital Territory  
Telephone (02) 9645 8350  
Facsimile (02) 9645 8355

Queensland  
Telephone (07) 3394 6810  
Facsimile (07) 3394 2953

New Zealand  
Dorma NZ Limited  
Building P  
61-69 Patiki Road  
Avondale  
Auckland 1026  
Telephone (09) 830 2052  
Facsimile (09) 820 4909

South Australia &  
Northern Territory  
Telephone (08) 8337 4064  
Facsimile (08) 8365 8572

Western Australia  
Telephone (08) 9228 2322  
Facsimile (08) 9228 2422

Newcastle  
Telephone (02) 4960 2606  
Facsimile (02) 4960 2544

ACT  
Telephone (02) 6203 0323  
Facsimile (02) 6260 1810

Tasmania  
Telephone (03) 6225 4117

