

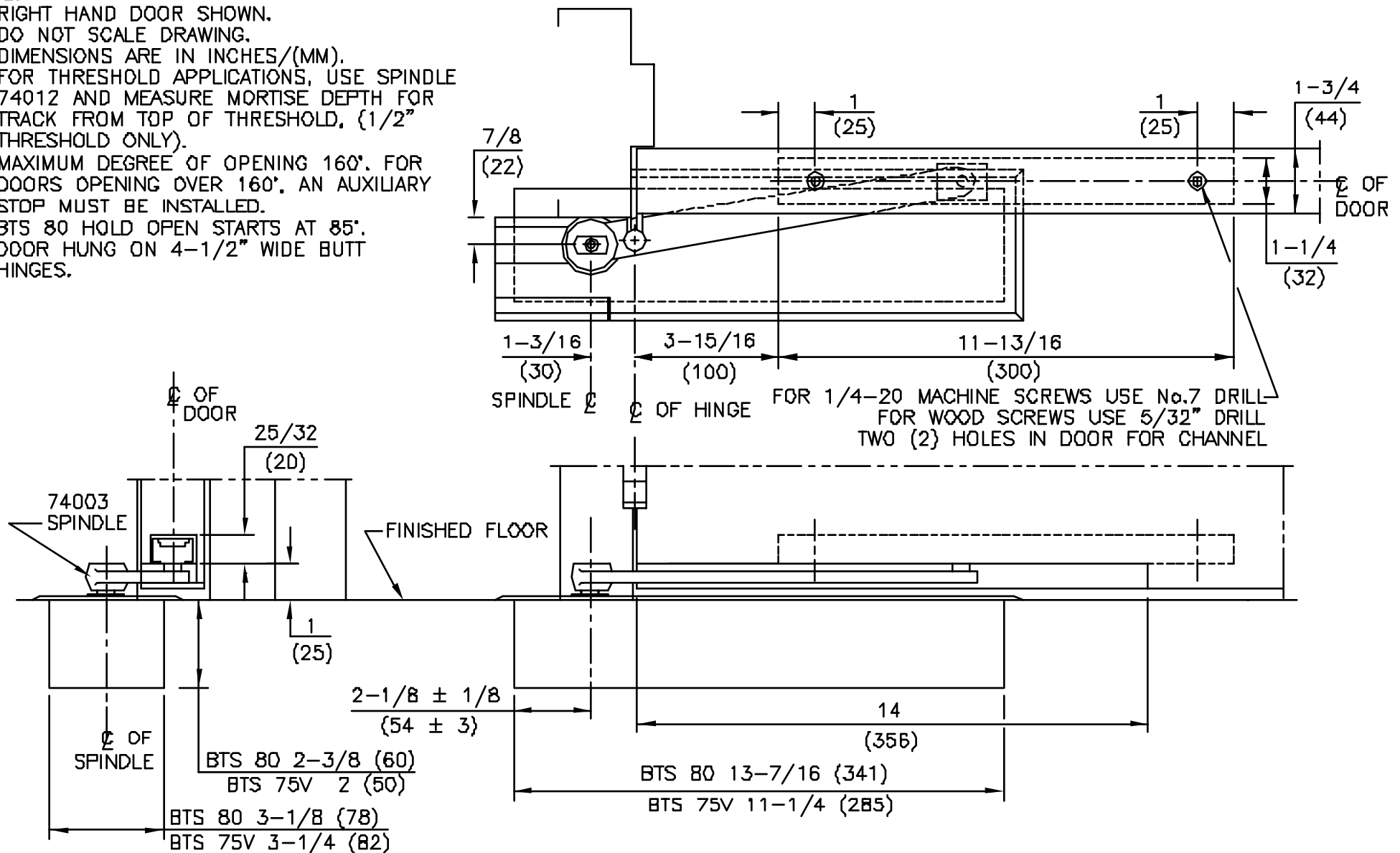
No.

REVISIONS

DATE

NOTE:

1. RIGHT HAND DOOR SHOWN.
2. DO NOT SCALE DRAWING.
3. DIMENSIONS ARE IN INCHES/(MM).
4. FOR THRESHOLD APPLICATIONS, USE SPINDLE 74012 AND MEASURE MORTISE DEPTH FOR TRACK FROM TOP OF THRESHOLD, {1/2" THRESHOLD ONLY}.
5. MAXIMUM DEGREE OF OPENING 160°. FOR DOORS OPENING OVER 160°, AN AUXILIARY STOP MUST BE INSTALLED.
6. BTS 80 HOLD OPEN STARTS AT 85°.
7. DOOR HUNG ON 4-1/2" WIDE BUTT HINGES.



FLOOR CLOSER MODEL: BTS 75V/1, BTS 80/1 WITH 7451N SLIDE ARM
(PULL SIDE INSTALLATION)
TRACK MORTISED IN DOOR



DORMA Architectural Hardware

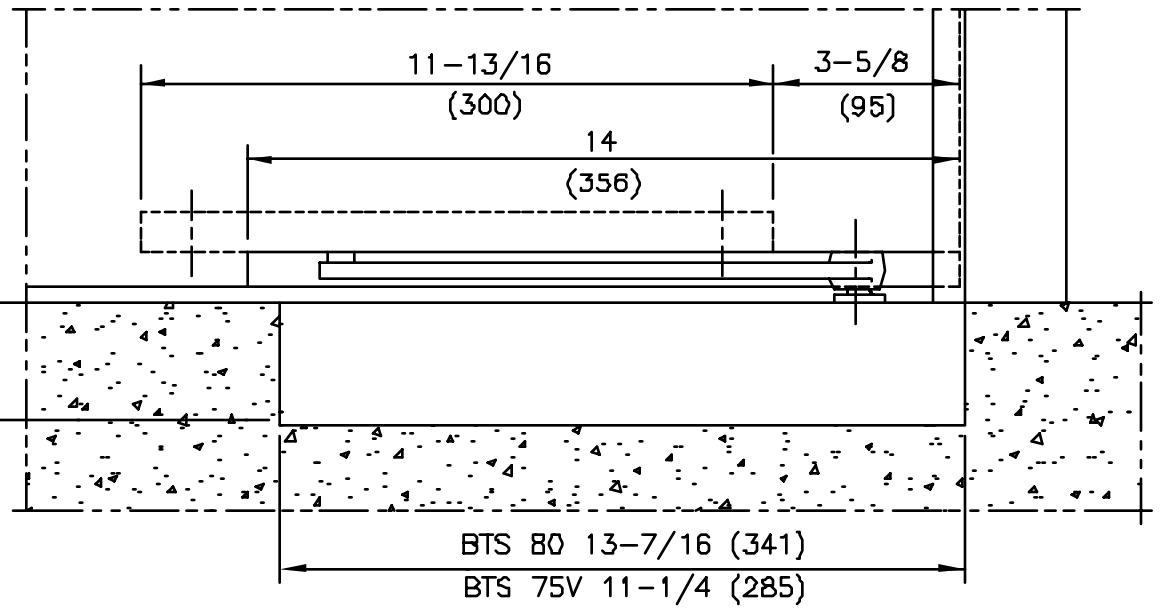
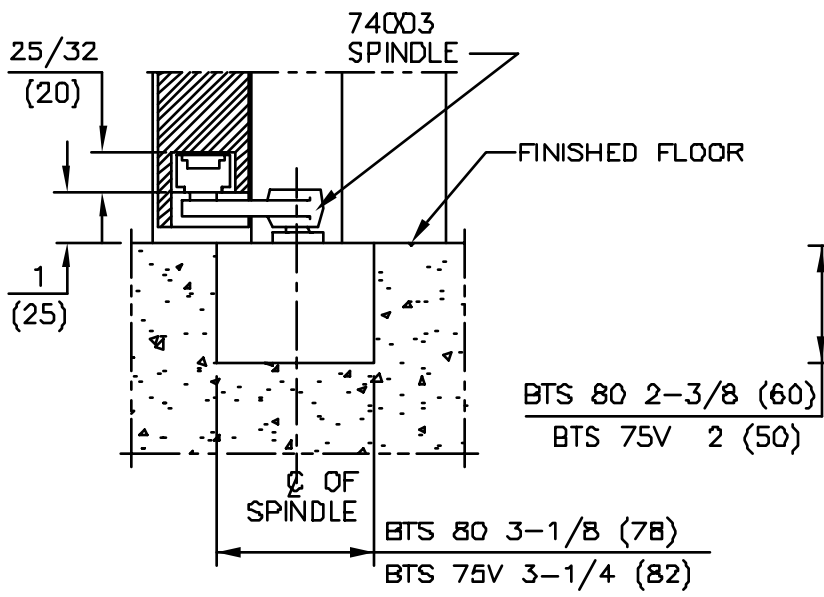
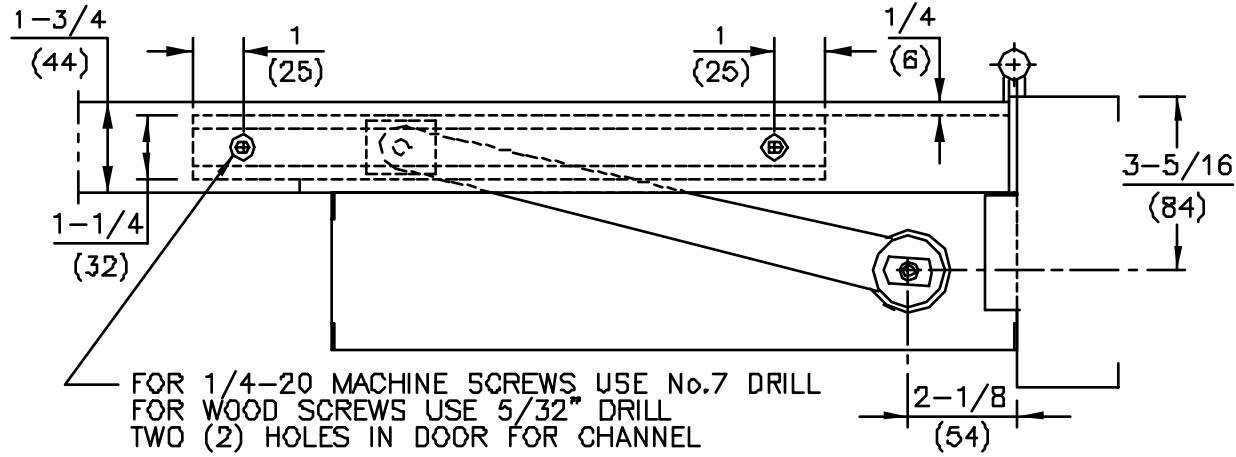
REAMSTOWN, PENNSYLVANIA 17567

TEMPLATE No. BTS-80

ALWAYS CONSULT DORMA'S WEB SITE FOR LATEST TEMPLATE AT WWW.DORMA-USA.COM OR CALL 1 800 523 8483

No.	REVISIONS	DATE
-----	-----------	------

- NOTE:
1. DO NOT SCALE DRAWING.
 2. DIMENSIONS ARE IN INCHES/(MM).
 3. RIGHT HAND DOOR SHOWN.
 4. DOOR HUNG ON 4-1/2" WIDE BUTT HINGES.
 5. MAXIMUM OPENING 90°. FOR DOORS OPENING OVER 90°, AN AUXILIARY STOP MUST BE USED.
 6. SPINDLE No. 74003 SHOWN, FOR 1/2 THRESHOLD USE SPINDLE No. 74012 AND MEASURE MORTISE DEPTH FOR TRACK FROM TOP OF THRESHOLD.



FLOOR CLOSER MODEL: BTS 75V/1, 80/1 WITH 7451N SLIDE ARM
(PUSH SIDE INSTALLATION)
TRACK MORTISED IN DOOR



DORMA Architectural Hardware
REAMSTOWN, PENNSYLVANIA 17567
TEMPLATE No. BTS-81