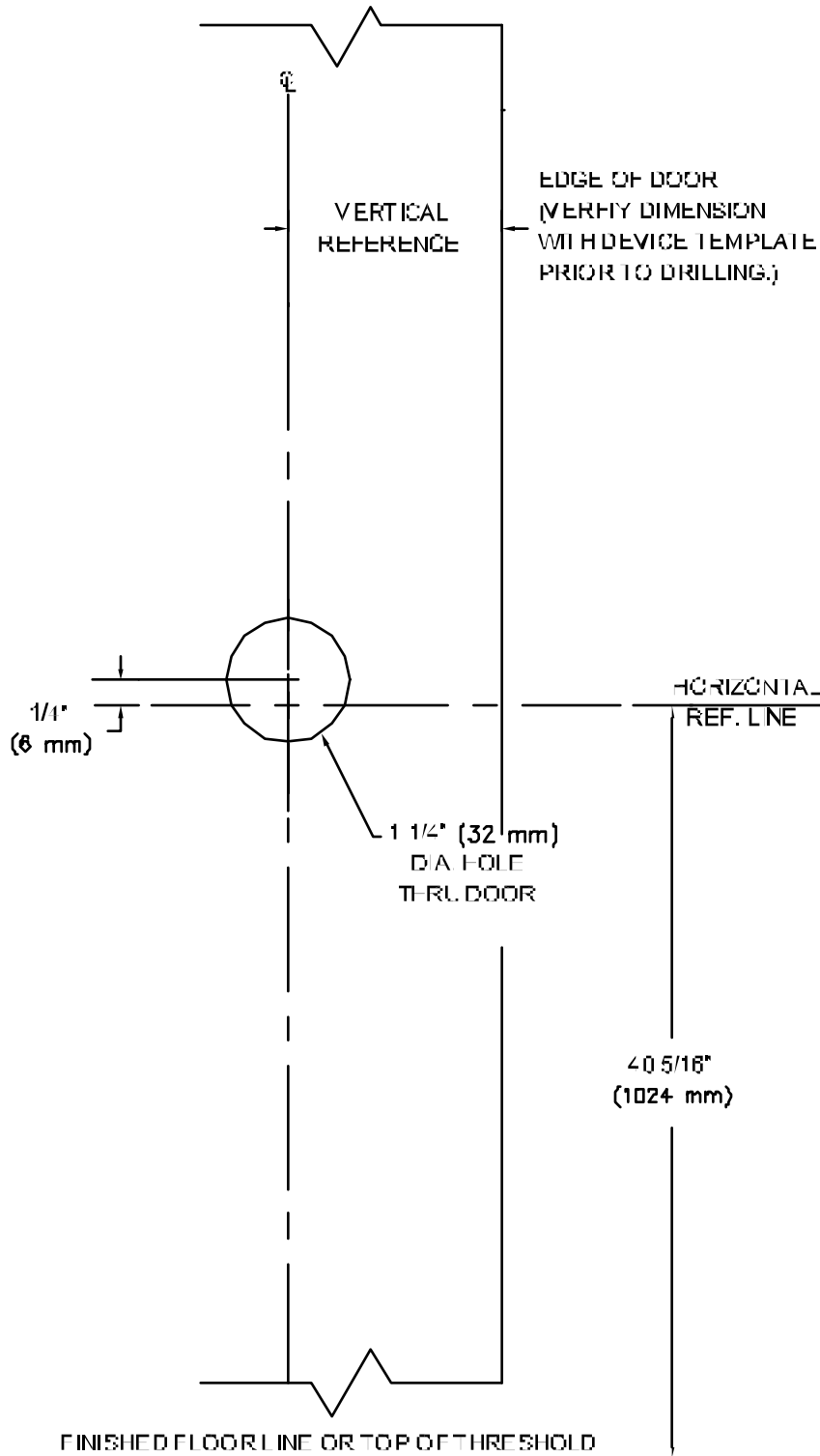


RHR SHOWN
LHR OPPOSITE



NOTES:

FINISHED FLOORLINE OR TOP OF THRESHOLD

1. SEE MASTER SHEET #T-0001 FOR SUGGESTED DOOR REINFORCEMENT.
2. SEE ADDITIONAL DEVICE TEMPLATE WHEN REQUIRED.

REV. No. 1

REVISION: ADD NEW BORDER

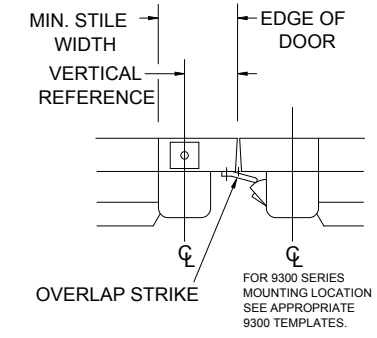
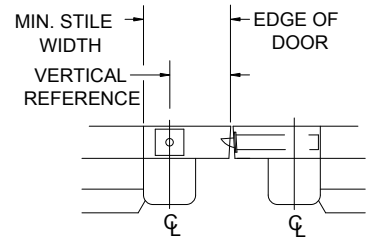
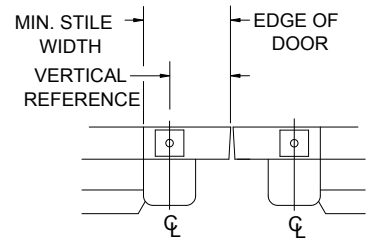
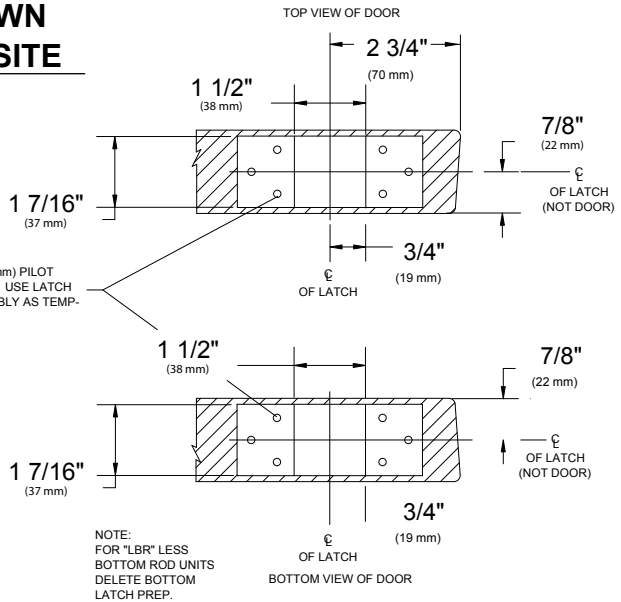
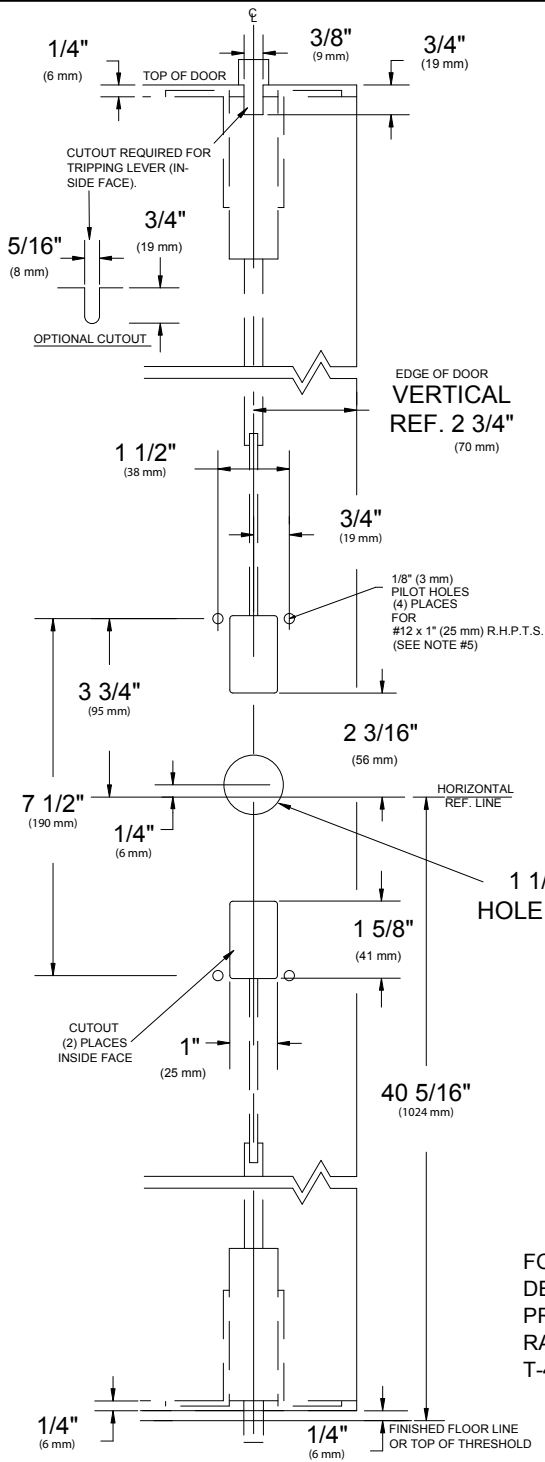
DATE: 4-25-00



CYLINDER ONLY (NO TRIM)

TEMPLATE NUMBER
T-9002 ①

**RHR SHOWN
LHR OPPOSITE**




1 1/4" (32 mm) DIA.
HOLE THRU DOOR.

FOR LESS BOTTOM ROD (LBR)
DEVICES, DELETE BOTTOM LATCH
PREP. POPPER REQUIRED ON FIRE
RATED DEVICE, SEE TEMPLATE
T-4012.

NOTES:

1. SEE T-9118WD FOR ROUTING INSTRUCTIONS.
2. SEE ADDITIONAL TRIM TEMPLATE WHEN REQUIRED.
3. SEE ADDITIONAL TEMPLATES FOR FIRE CHANNEL EDGE PREP.
4. DEVICE WILL COVER STANDARD SDI CUTOUT.
5. FOR SEX NUTS USE 3/8" DRILL.

VERTICAL REFERENCE	MINIMUM STILE WIDTH
2 3/4" (70 mm)	4 3/16" (106 mm)

REV. No. 2	REVISION: CHANGE DEMENSION	DATE: 8-1-00
	9100 & F9100 x CYLINDER (NOTRIM) VERTICAL ROD EXIT DEVICE (Wood Door)	TEMPLATE NUMBER T-9112WD
		②