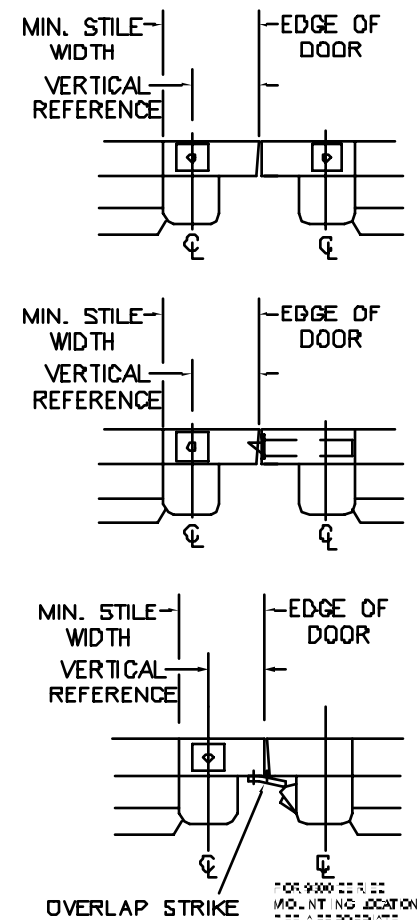
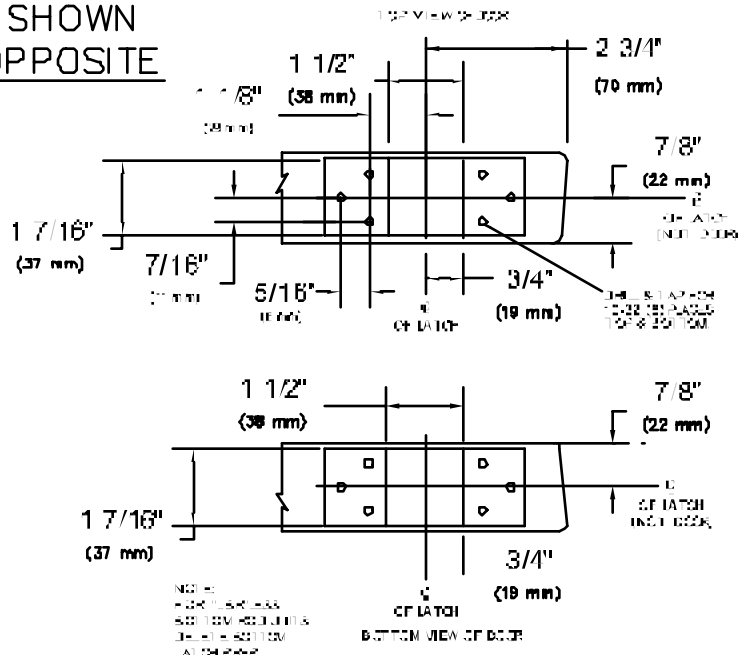
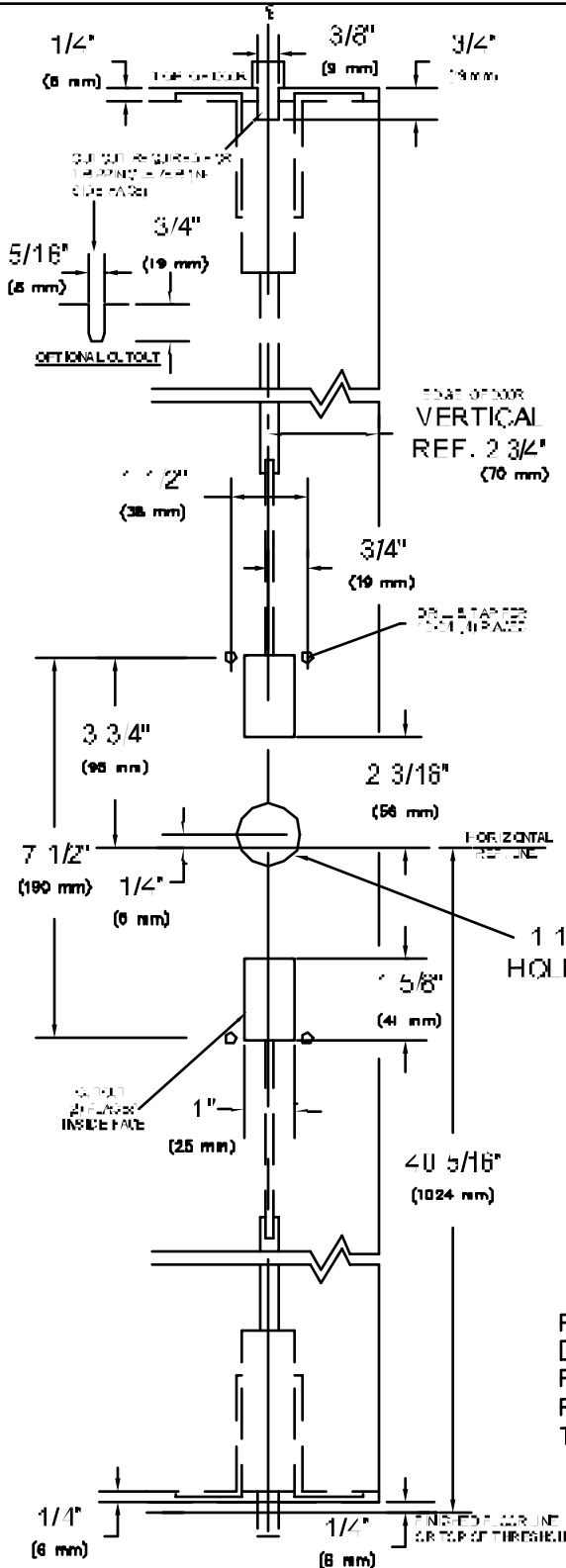


RHR SHOWN
LHR OPPOSITE



FOR LESS BOTTOM ROD (LBR) DEVICES, DELETE BOTTOM LATCH PREP. POPPER REQUIRED ON FIRE RATED DEVICE, SEE TEMPLATE T-4012.

NOTES:

1. SEE ADDITIONAL TRIM TEMPLATE WHEN REQUIRED.
2. DEVICE WILL COVER STANDARD SDI CUTOUT.
3. FOR SEX NUTS USE 3/8" DRILL.

VERTICAL REFERENCE	MINIMUM STILE WIDTH
2 3/4" (70 mm)	4 3/16" (106 mm)

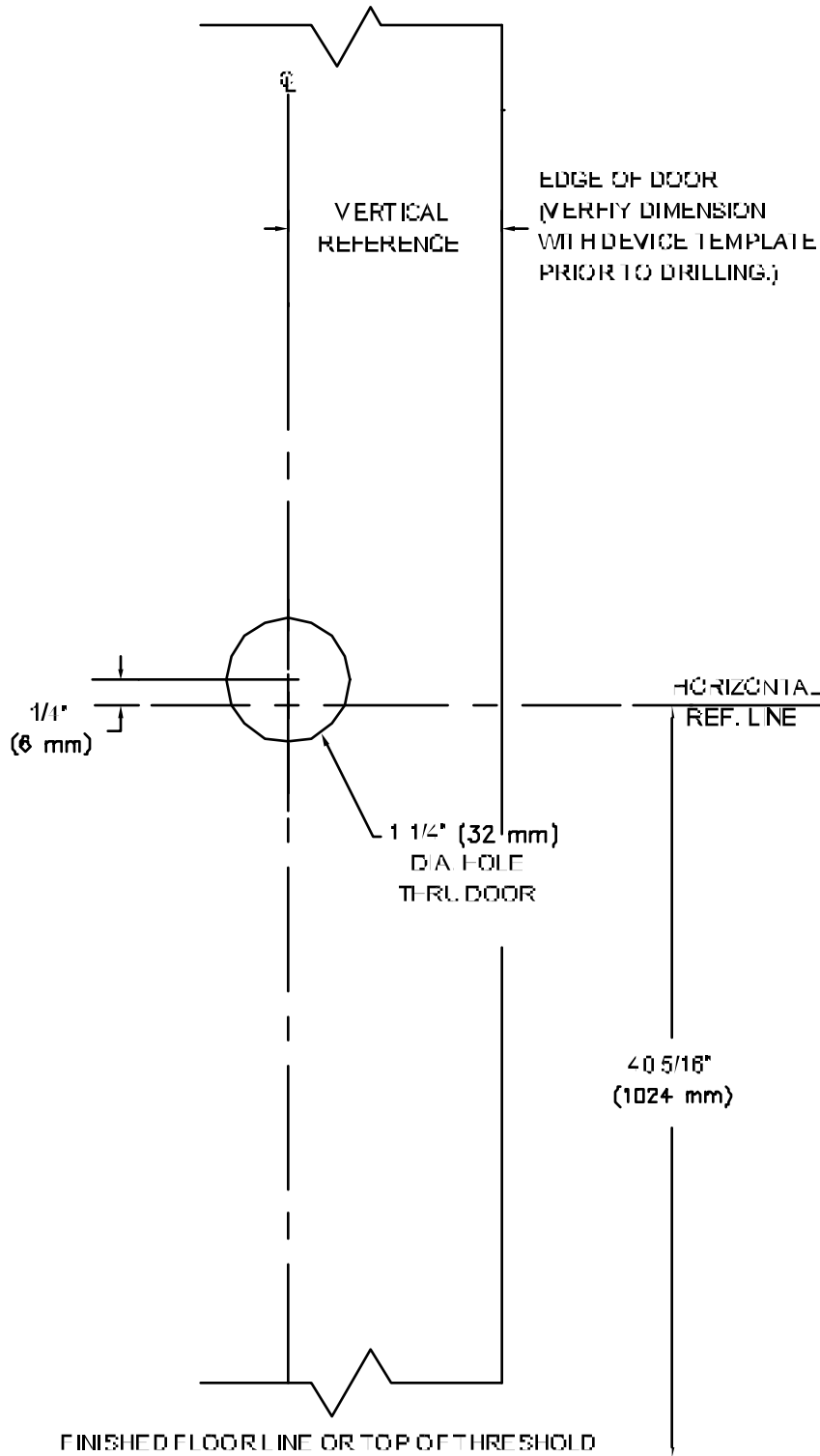
REV. No. 2 REVISION: CHANGE DEMENSION DATE: 8-1-00



9100 & F9100 x CYLINDER (NOTRIM)
VERTICAL ROD EXIT DEVICE

TEMPLATE NUMBER
T-9103 ②

RHR SHOWN
LHR OPPOSITE



NOTES:

1. SEE MASTER SHEET #T-0001 FOR SUGGESTED DOOR REINFORCEMENT.
2. SEE ADDITIONAL DEVICE TEMPLATE WHEN REQUIRED.

REV. No. 1

REVISION: ADD NEW BORDER

DATE: 4-25-00



CYLINDER ONLY (NO TRIM)

TEMPLATE NUMBER
T-9002 ①